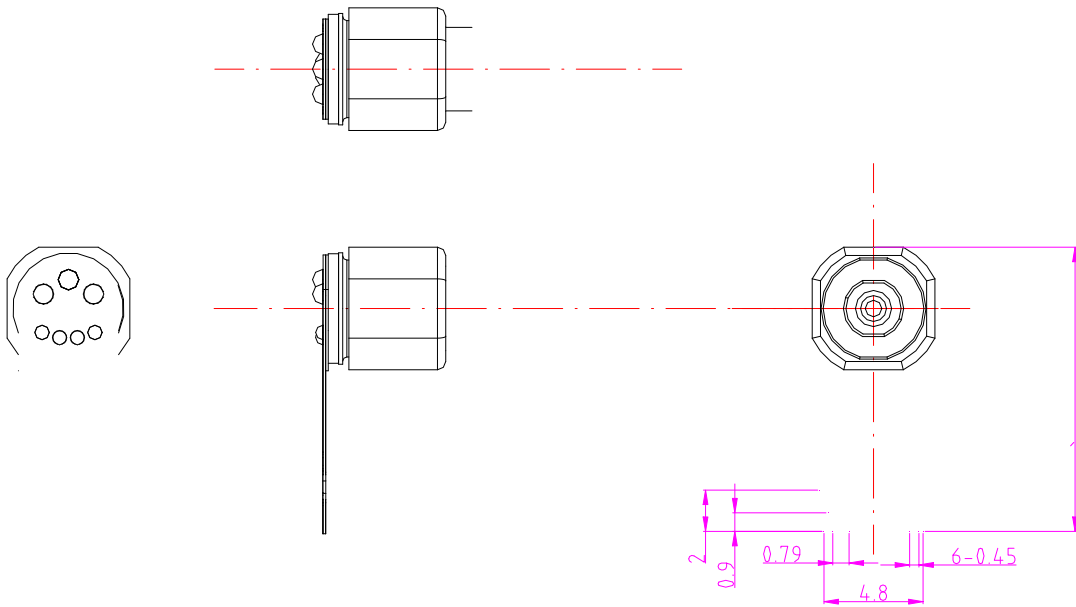




Mechanical Dimension and Pin Assignment:

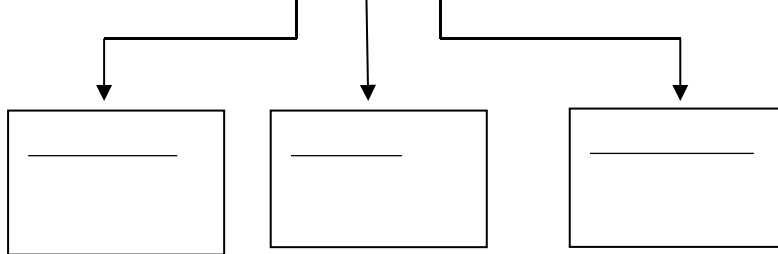




Order Information:

SAN-U P/N

401 009 XX00



Statement

Contact Information:
